

# Datasheet



## E3 LED Edgelight



CAT. NO. 684437/LI, 684438/LI, 684443/LI, 684444/LI, 684431, 684432, 684433, 684439, 684440, 684441, 684434, 684435, 684436



684432 + 684437/LI

Operating Mode	Maintained
Nominal Input Voltage	230 - 240 V a.c. 50Hz
Battery	Li-ion 6.4 V 0.57 Ah
Power Consumption	3 W
Inrush Current	5 A peak
Light Source Life (LSL)	50,000 hrs
Operating Temperature	10° C to 40° C
Body Construction	Stainless steel wall plate and Steel for Surface Mounting Block
Diffuser Construction	Acrylic
IP Rating	IP20
Compliance	AS/NZS 2293, AS/NZS 60598
Product Marking	 

# E3 LED Edgelight



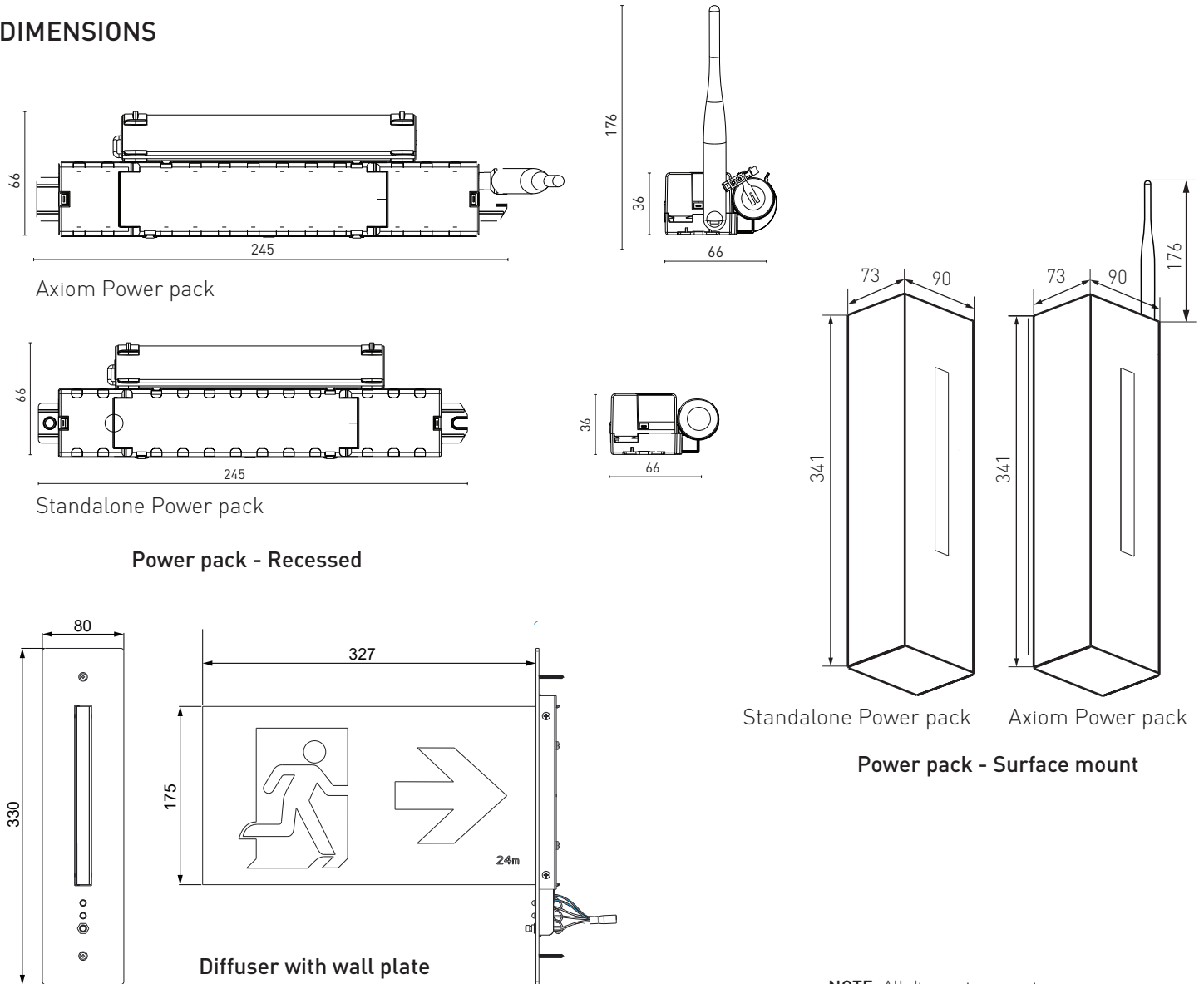
CAT. NO. 684437/LI, 684438/LI, 684443/LI, 684444/LI, 684431, 684432, 684433, 684439, 684440, 684441, 684434, 684435, 684436



## FEATURES

- Internally illuminated sign with no classification.
- SPU or Axiom wireless computer-monitored.
- Recessed or Surface Mounted.
- Modern and sleek design.
- iSmart™ temperature sensing technology for Li-ion battery.
- Electronics designed to lengthen the life of the battery, minimising maintenance costs.
- Environment friendly battery.
- 5 Year Warranty.
- Designed and Manufactured in Australia.

## DIMENSIONS



NOTE: All dimensions are in mm.

# E3 LED Edgelight



CAT. NO. 684437/LI, 684438/LI, 684443/LI, 684444/LI, 684431, 684432, 684433, 684439, 684440, 684441, 684434, 684435, 684436



Note: For complete luminaire order Power Pack and Diffuser with wall plate.

POWER PACK – RECESS INSTALLATION	
Cat. No	Description
684437/LI	E3 Standalone power pack
684438/LI	E3 Axiom power pack

POWER PACK – FOR SURFACE INSTALLATION (Includes mounting block)	
Cat. No	Description
684443/LI	E3 surface mount- Standalone power pack – Silver finish
684444/LI	E3 surface mount- Axiom power pack – Silver finish

DIFFUSERS WITH WALL PLATE		
Cat.No	Description	
684431	E3 LED – wall to left – Single Sided – RMS	
684432	E3 LED – wall to left – Single Sided – RML	
684433	E3 LED – wall to left – Single Sided – RMR	
684439	E3 LED – wall to right – Single Sided– RMS	
684440	E3 LED – wall to right – Single Sided – RML	
684441	E3 LED – wall to right – Single Sided– RMR	
684434	E3 LED – wall to left – Double Sided – RMS	
684435	E3 LED – wall to left – Double Sided – RMLR	
684436	E3 LED – wall to left – Double Sided – RMLR	

RMS = Running Man Straight, RML = Running Man Left, RMR = Running Man Right, RMLR= Running Man Left or Right

Legrand Australia  
1300 369 777  
www.legrand.com.au  
ABN 31 000 102 661

Legrand New Zealand  
0800 476 009  
www.legrand.co.nz

Refer to your group buying office, Legrand Sales Representative or Legrand Sales Office for pricing.

Please note: specifications are subject to change without prior notice.

